

# **Addendum**

# **Stepwell**

## **2005 Monarch<sup>®</sup> SE**



The information printed here reflects product design, fabrication, and component parts at the date of printing. The manufacturer reserves the right, at any time, to make changes in product design or material or component specifications as its sole option, without notice. This includes the substitution of components of a different brand or trade name, which will result in comparable performance. All information printed in this document is subject to change after the date of printing. Due to product improvements, changes during the model year and/or transcription errors that may occur, information represented within the owner's manual and/or this document may not be accurate at the time of your purchase. Please confirm any information with your dealer.

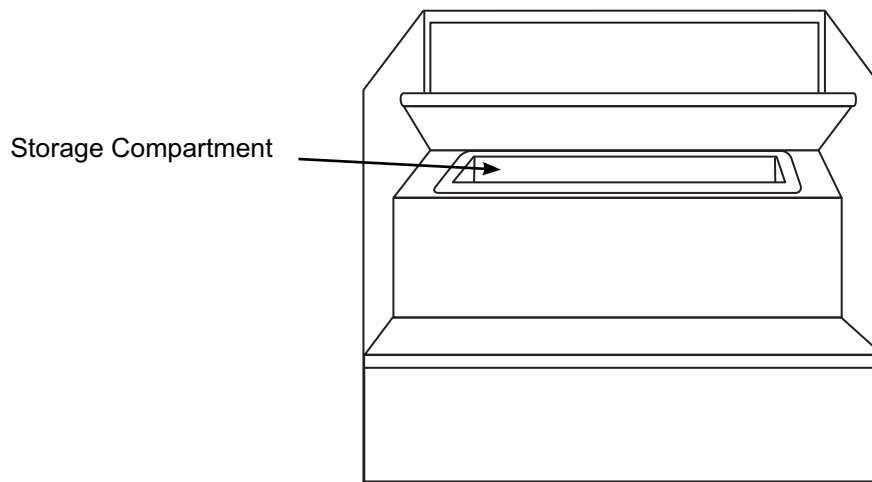
©Monaco Coach Corporation. All rights reserved. Monarch SE<sup>®</sup> is a registered trademark of Monaco Coach Corporation. All other trademarks or registered trademarks are property of their respective holders. Brand name products of other companies mentioned in this addendum are not endorsed by Monaco Coach Corporation.

Disregard the following information from **Section 5 - Equipment** on page 162 in the 2005 Monarch® SE Owner's Manual.

---

***Stepwell***

The interior stepwell features step lighting and a storage compartment in the upper step. This compartment is ideal for storing items such as gloves, tire pressure gauge, flashlights or outside slippers.



090344



**MONACO®**

**Monaco Coach Corporation**

91320 Coburg Industrial Way

Coburg, OR 97408

800-634-0855

[www.monaco-online.com](http://www.monaco-online.com)

**Warranty/Technical Support**

Toll Free 877-466-6226